

PITCHING INSTRUCTIONS

Your tent includes:

- 1 x Frame Set
- 1 x Canvas
- 33 x Pegs
- 5 x Ropes (3 x single ropes, 2 x 'V' ropes)

1. Select a dry, level site and clear any sharp objects that may puncture the floor. Remove the tent from its carry bag, untie fabric ties and unroll the tent.

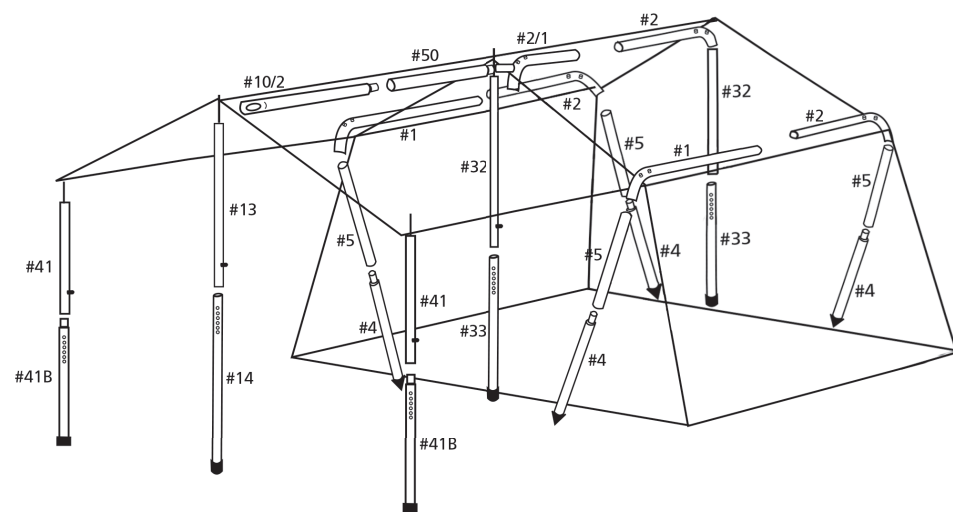
2. Take the frame parts bag and carefully tip out the poles. Group the poles together into the following pole groups:

Side Wall Assembly Poles: Parts: #1, #2 (2 Sets)
Centre Ridge Pole: Parts: #2/1, #2 (1 Set)
End Support Poles: Parts: #5, #4 (4 Sets)

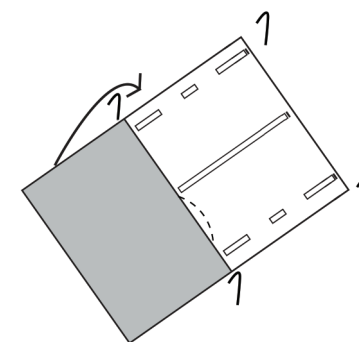
External Centre Ridge Upright Poles: Parts: #32, #33 (2 Sets)
Porch Poles: Parts: #50, #10/2
Parts: #14, #13 (1 Set)
Parts: #41B, #41 (2 Sets)

The poles are coded with a number on a coloured sticker for easier assembly. The green poles are along the bottom (green for grass), the blue poles are the upper level poles (blue for sky) and the red poles are the porch poles.

Although the stickers should last well, it is a good idea to label the poles with the same coloured insulation tape and a permanent marker for future reference.



3. Roll the tent out and move it into the desired position. Ensure each side is pulled taut. Peg the four corners out first, then the middle pegging loops on each side, then proceed to peg out the remaining pegging points.

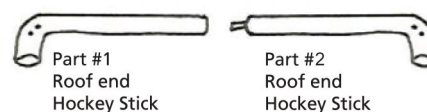


To keep the porch clean and out of the way, fold it back over the roof of the tent until needed.

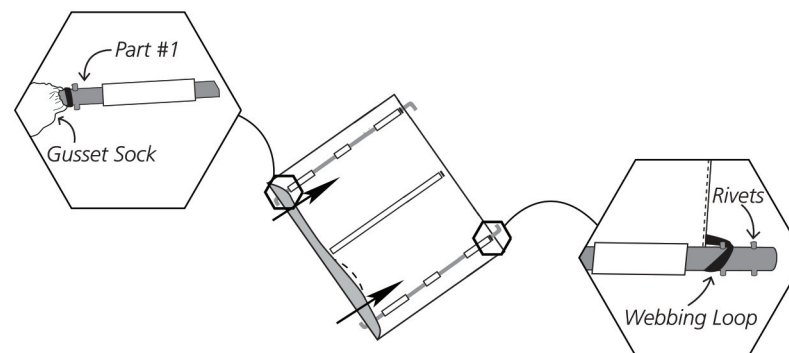
To make sure the tent stays in place insert the pegs into the ground at a 45° angle, not straight down.

Unzip and open all of the doors and windows to make erecting the tent easier.

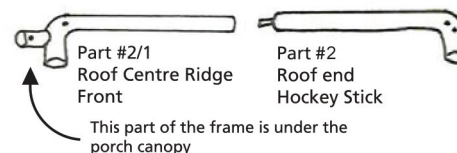
4. SIDE WALL FRAME ASSEMBLY:



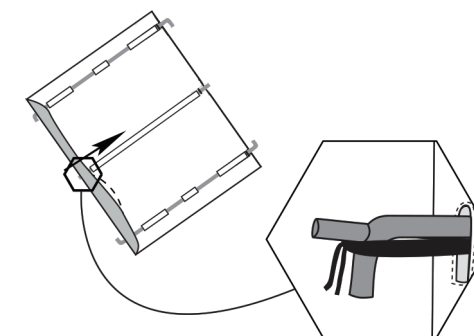
5. A) From the porch end of the tent, insert Part #1 through the elasticised gusset sock (looks like a sleeve) and webbing loop and through the pole sleeve.
B) Take Part #2 and follow same process at the back of the tent, and attach.
C) Repeat for the other side.



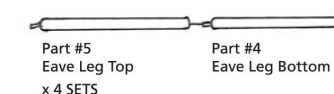
6. While the tent is still lying on the ground, the CENTRE RIDGE can be assembled.



7. Insert Part #2/1 through the elastic loop then through the gusset sock, from underneath the porch canopy through to the top and then through the pole sleeve along the ridge, towards the rear of the tent. Feed Part #2 through the webbing loops and Pole sleeve at the rear and connect to the end of Part #2/1, ensure the webbing loop fits over the rivets securely. Also check that the pole sleeve hasn't caught when the poles have been pushed together. Check that all poles have been threaded through any webbing loops on all three frame assembly's.

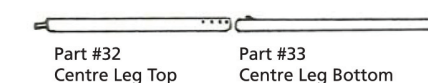


8. Connect parts #5 and #4 (4 sets) together. These will create the END SUPPORT LEGS needed below.

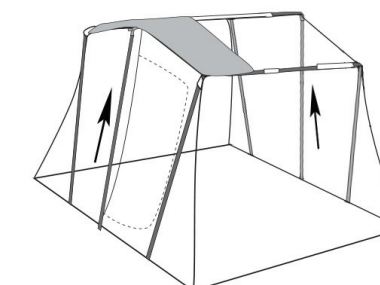


9. Insert the connected END SUPPORT LEG poles into the roof ends and raise the sides of the tent. This will take two people to do effectively. Raise the door side first.

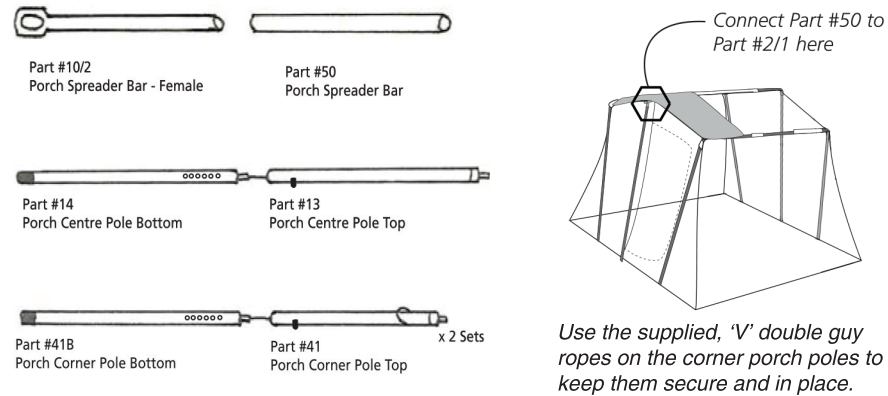
10. Connect part #32 to Part #33 (2 sets) to make the EXTERNAL CENTRE RIDGE UPRIGHT poles.



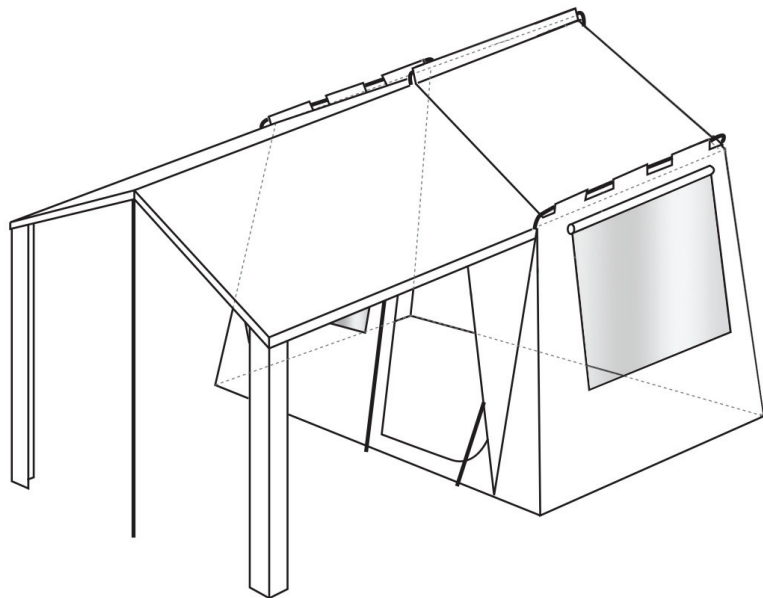
11. Place the EXTERNAL CENTRE RIDGE UPRIGHTS into place at each end and lift the roof until taut, use the dome clip buttons to adjust to the appropriate height so the tent fabric is taut.



12. Assemble the porch ridge pole (Part #10/2 and #50) and connect to the opening in Part #2/1 at the centre of the front of the tent. Carefully, pull the porch canvas out over the assembly and vertically place the Porch Centre Pole through the eyelet of Part #10/2 and then the porch canvas. Then guy rope this directly out.



13. Next, connect together the porch corner poles, Part #41B to #41 and vertically place one at each corner. Place through the eyelets in each side of the porch. Securely guy rope these out and peg out the pegging points on the corner legs.



REVERSE THE PROCEDURE TO LOWER THE TENT

TENT CARE INSTRUCTIONS

1. Before you use your new tent, fully unpack and pitch it at home. It is important to familiarise yourself with the set up procedure and the various features.
2. Ensure you thoroughly pre-weather your tent before use to ensure the longest life for your canvas tent.
3. Select a site that is level, clear of any sharp objects, is dry and will drain well if it rains and is protected from wind and other elements.
4. For best results, enlist the help of at least one other person to assist in pitching the tent.
5. Support frames and canvas should be pulled taut, NOT over-stressed.
6. Never pull the pegs out using the canvas. Always use a tent peg remover or claw hammer.
7. Please note, the warranty on this tent will be deemed void if the product is used for any purpose other than a temporary shelter.
8. Keep clear of overhead power lines and trees when setting up your tent.
9. Do not leave the tent exposed to direct sunlight for extended periods. UV light is one of the most damaging elements for your tent.
10. Ensure there is an adequate gap between the fly and inner tent to ensure adequate ventilation and to prevent condensation build up.
11. Your tent is ventilated for all normal conditions, however condensation may occur in certain circumstances such as being totally closed off in wet or humid conditions and steam caused by cooking. If this does occur, thoroughly air the tent at the first opportunity.
12. Make sure when closing doors that you hold the flaps up to take pressure off the zips. Ensure that the tent is never over stretched, especially as this may cause problems with the internal doors. Never store your tent away damp and ensure it is stored in a well-ventilated area, preferably off the floor. Should mildew spots appear, brush them off before they become attached. Mildew damage of any kind is not covered by our guarantee. DO NOT use excess force or other harsh tools to remove soilage from tent.
13. Like all assets canvas tents require regular care and attention to give the life and service expected. Regular cleaning with an abundance of clean water and a soft brush, especially after exposure to salt water will preserve your tent's life. Do not allow bird droppings, earth or vegetable matter to remain in contact with the fabric. NEVER USE SOAPS OR DETERGENTS.
14. Tents are not fire proof, if exposed to flame or high heat sources they can ignite and burn. Always take care when using spirit or gas appliances such as stoves and lanterns near your tent.
15. Some of these products contain chemicals, which can destroy your tents proofing and cause it to leak. Avoid using aerosol sprays and keep petrol, oil, solvents and other similar fluids away from the fabric. Do not use these inside or around your tent as any damage caused by these is not covered by our guarantee.
16. Always remember that your tent is made from cloth, and should not be compared with a house. It is waterproof under normal conditions but in severe weather conditions some water may penetrate. If you apply water proofing to your tent check that you are applying the right one for your tent's canvas type.

17. Make sure your tent is pitched properly and keep a close eye on the weather, as we have no control over how and where the tent is used or pitched. Extra pegs and ropes are recommended in stormy conditions. Please note, wind damage is not covered by our guarantee. Check and adjust guy ropes and pegs daily.
18. Tent fabrics are not 100% colourfast and some fading will occur naturally, however; this does not affect the performance of the fabric. Do not leave your tent up and unattended for extended periods of time. Tents are not designed as permanent dwellings. Tents are guaranteed for normal camping use only.